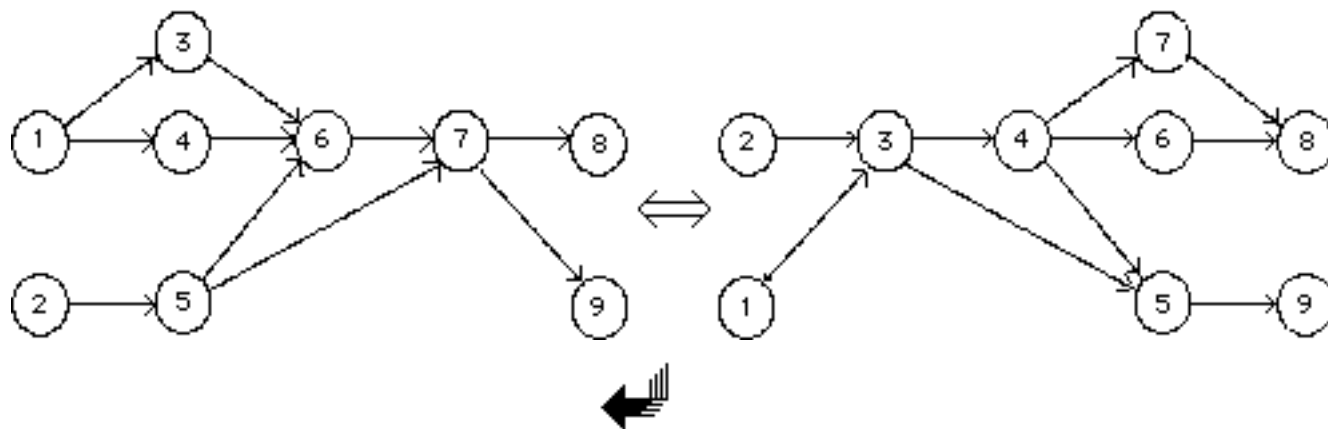
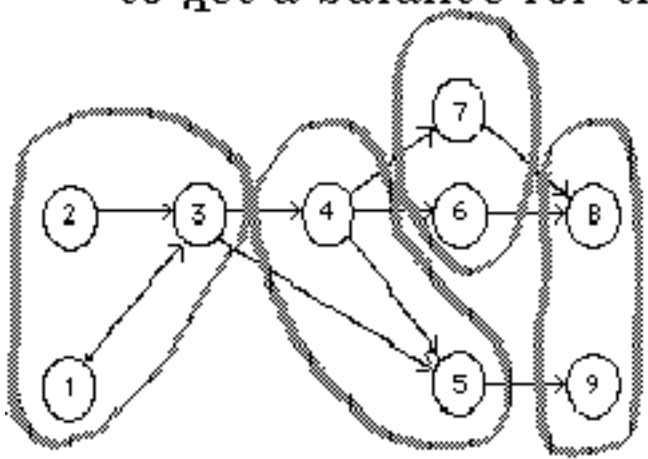


Reversed RPWM

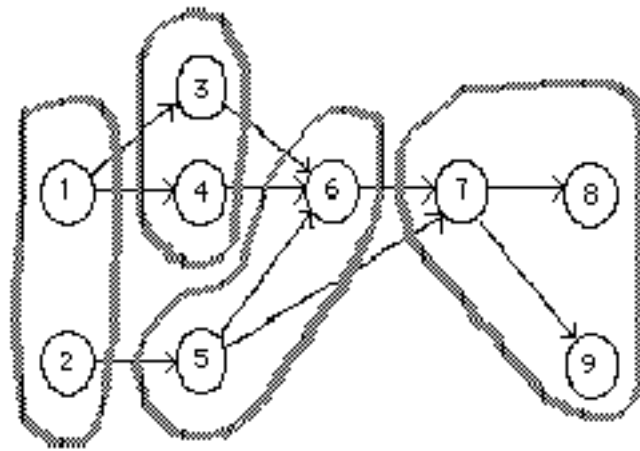
This is the Ranked Positional Weight Method, applied to the problem with the precedence restrictions reversed:



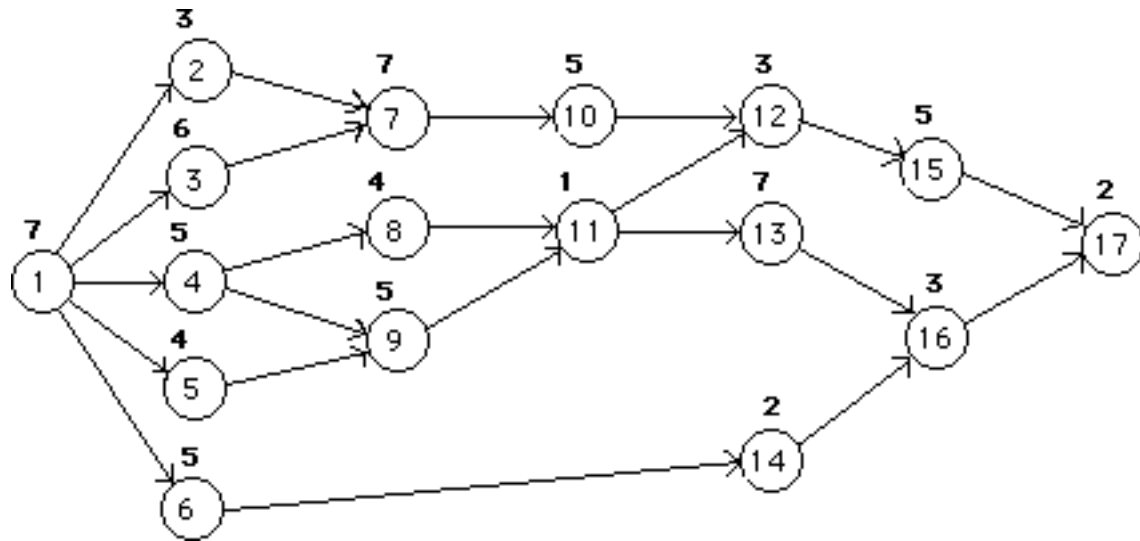
After a balance is found for the reversed problem, then the problem is "un-reversed" to get a balance for the original problem.

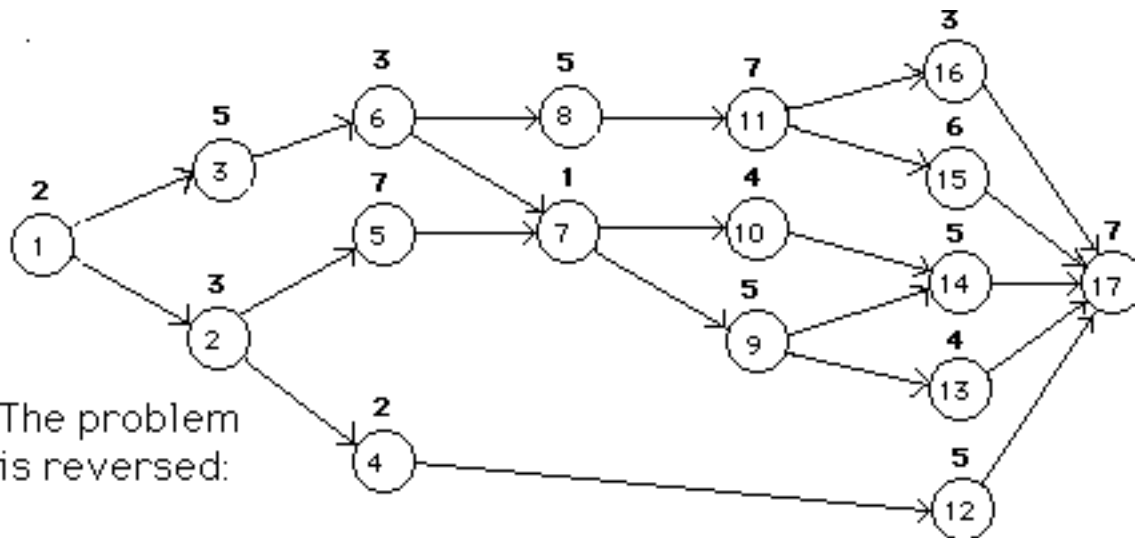


balance for reversed problem



balance for original problem





The problem is reversed:

Old #	17	16	15	14	13	12	11	10	9	8	7	6	5	4	3	2	1
New #	1	2	3	4	5	6	7	8	9	10	11	12	13	14	15	16	17
P	2	3	5	2	7	3	1	5	5	4	7	5	4	5	6	3	7
Weight	74	43	55	14	33	50	26	28	21	16	23	12	11	12	13	10	7
Rank	1	4	2	11	5	3	7	6	9	10	8	13	15	14	12	16	17

Add Task 1 to station 1
 Time at station 1 is now 2
 (Idle time: 13)
 Add Task 3 to station 1
 Time at station 1 is now 7
 (Idle time: 8)
 Add Task 6 to station 1
 Time at station 1 is now 10
 (Idle time: 5)
 Add Task 2 to station 1
 Time at station 1 is now 13
 (Idle time: 2)
 Add Task 4 to station 1
 Time at station 1 is now 15
 (Idle time: 0)

Station #1

No additional tasks may be added to this station.

Old #	17	16	15	14	13	12	11	10	9	8	7	6	5	4	3	2	1
New #	1	2	3	4	5	6	7	8	9	10	11	12	13	14	15	16	17
P	2	3	5	2	7	3	1	5	5	4	7	5	4	5	6	3	7
Weight	74	43	55	14	33	50	26	28	21	16	23	12	11	12	13	10	7
Rank	1	4	2	11	5	3	7	6	9	10	8	13	15	14	12	16	17

Station #2

Add Task 5 to station 2

Time at station 2 is now 7

(Idle time: 8)

Add Task 8 to station 2

Time at station 2 is now 12

(Idle time: 3)

Add Task 7 to station 2

Time at station 2 is now 13

(Idle time: 2)

No additional tasks may be added to this station.

Old #	17	16	15	14	13	12	11	10	9	8	7	6	5	4	3	2	1
New #	1	2	3	4	5	6	7	8	9	10	11	12	13	14	15	16	17
P	2	3	5	2	7	3	1	5	5	4	7	5	4	5	6	3	7
Weight	74	43	55	14	33	50	26	28	21	16	23	12	11	12	13	10	7
Rank	1	4	2	11	5	3	7	6	9	10	8	13	15	14	12	16	17

Station #3

Add Task 11 to station 3

Time at station 3 is now 7

(Idle time: 8)

Add Task 9 to station 3

Time at station 3 is now 12

(Idle time: 3)

Add Task 16 to station 3

Time at station 3 is now 15

(Idle time: 0)

No additional tasks may be added to this station.

Old #	17	16	15	14	13	12	11	10	9	8	7	6	5	4	3	2	1
New #	1	2	3	4	5	6	7	8	9	10	11	12	13	14	15	16	17
P	2	3	5	2	7	3	1	5	5	4	7	5	4	5	6	3	7
Weight	74	43	55	14	33	50	26	28	21	16	23	12	11	12	13	10	7
Rank	1	4	2	11	5	3	7	6	9	10	8	13	15	14	12	16	17

Station #4

Add Task 10 to station 4
 Time at station 4 is now 4
 (Idle time: 11)
 Add Task 15 to station 4
 Time at station 4 is now 10
 (Idle time: 5)
 Add Task 12 to station 4
 Time at station 4 is now 15
 (Idle time: 0)
 No additional tasks may be added to this station.

Old #	17	16	15	14	13	12	11	10	9	8	7	6	5	4	3	2	1
New #	1	2	3	4	5	6	7	8	9	10	11	12	13	14	15	16	17
P	2	3	5	2	7	3	1	5	5	4	7	5	4	5	6	3	7
Weight	74	43	55	14	33	50	26	28	21	16	23	12	11	12	13	10	7
Rank	1	4	2	11	5	3	7	6	9	10	8	13	15	14	12	16	17

Station #5

Add Task 14 to station 5

Time at station 5 is now 5

(Idle time: 10)

Add Task 13 to station 5

Time at station 5 is now 9

(Idle time: 6)

No additional tasks may be added to this station.

Old #	17	16	15	14	13	12	11	10	9	8	7	6	5	4	3	2	1
New #	1	2	3	4	5	6	7	8	9	10	11	12	13	14	15	16	17
P	2	3	5	2	7	3	1	5	5	4	7	5	4	5	6	3	7
Weight	74	43	55	14	33	50	26	28	21	16	23	12	11	12	13	10	7
Rank	1	4	2	11	5	3	7	6	9	10	8	13	15	14	12	16	17

Station #6

Add Task 17 to station 6

Time at station 6 is now 7

(Idle time: 8)

No additional tasks may be added to this station.

*** Line is now balanced.

Now the tasks and stations are reversed again to get original
sequence

Done

Old #	17	16	15	14	13	12	11	10	9	8	7	6	5	4	3	2	1
New #	1	2	3	4	5	6	7	8	9	10	11	12	13	14	15	16	17
P	2	3	5	2	7	3	1	5	5	4	7	5	4	5	6	3	7
Weight	74	43	55	14	33	50	26	28	21	16	23	12	11	12	13	10	7
Rank	1	4	2	11	5	3	7	6	9	10	8	13	15	14	12	16	17

Solution

17-task Line-Balancing Problem

Number of Stations: 6

Station	Idle time	Tasks
1	8	1
2	6	4 5
3	0	3 6 8
4	0	2 7 9
5	2	10 11 13
6	0	12 14 15 16 17

Balance delay: 0.177778

