

Reference:

<http://www.pasco.com/support/technical-support/technote/techIDlookup.cfm?TechNoteID=265>

## Rotary Motion Sensor Pinout

### Affected Products:

[CI-6538 Rotary Motion Sensor](#)  
[CI-7650 750 Interface, USB](#)

### Problem/Symptom:

What is the pinout of the CI-6538 Rotary Motion Sensor?

### PASCO Solution:

The pinout of the [TRS connectors](#) of the Rotary Motion Sensor is as follows:

- Yellow TRS Plug
  - **Sleeve:** yellow (Ground)
  - **Ring:** purple (Up Count)
  - **Tip:** orange (+5V)
  
- Black TRS Plug
  - **Sleeve:** black (Ground)
  - **Ring:** white (Down Count)
  - **Tip:** - red (NC)



To change from 360 to 1440 counts, pulse both rings low for between 100 microseconds and 1 ms. To change back to 360 resolution, pulse both rings twice within 5 ms.

Figure 1: Pinouts of rotary sensor

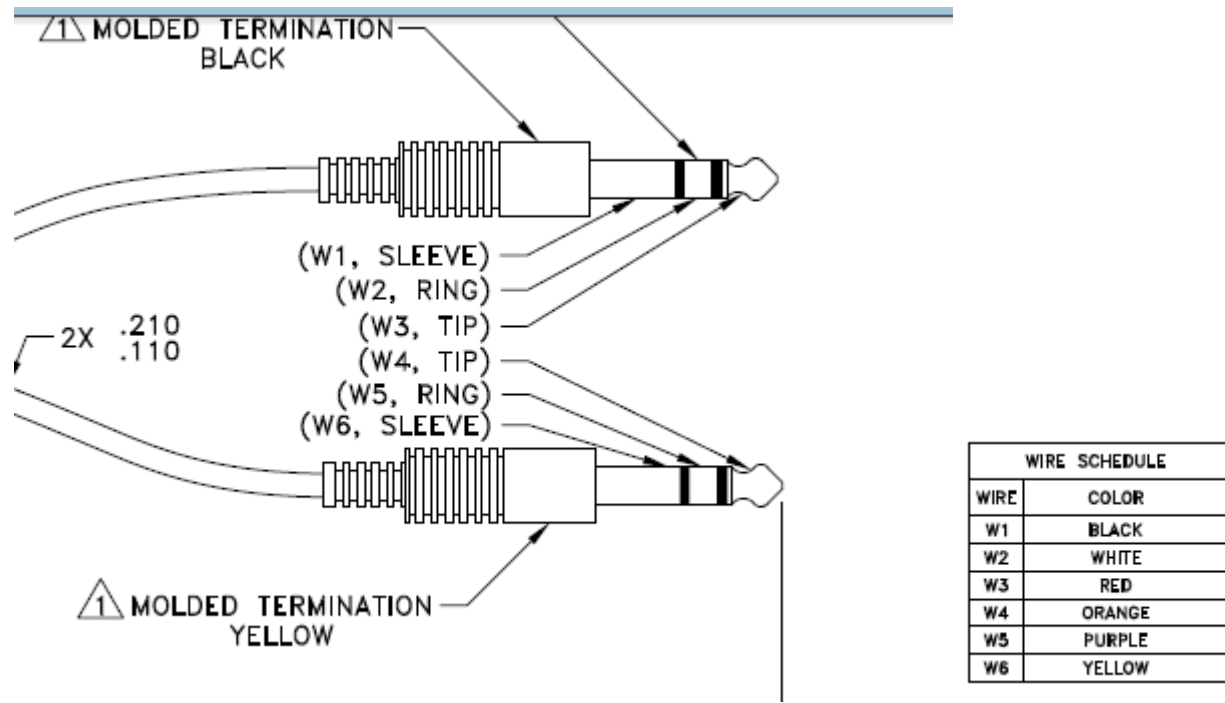


Figure 2: Wire details